

995

CONCEALED HINGE

New



LH/RH



- Side part can be mounted with M 5 screws.
- Centre part is copper plated for easy welding.
- Suitable for heavy duty applications.
- Left and right versions are possible.
- Suitable for 25 mm door bend cabinets.

APPLICATIONS

Electric panels, machinery covers.

MATERIAL

Steel

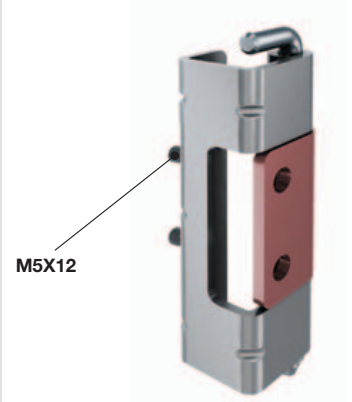
FINISH

BODY: Zinc Plated

WELDING PART : Copper plated

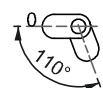
Note: Bolts are not given

Stud version



Note: Nuts are not given

Hinge Rotation Angle



PRODUCT CODE

