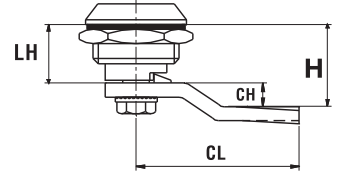
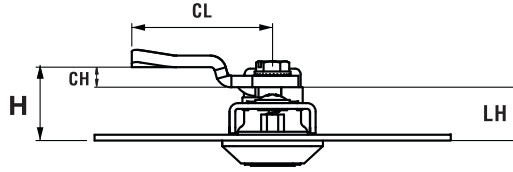


Tırnaklı diller / Cams with stopper

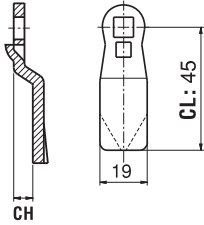
KİLİTLER / LOCKS

GRUP KODU GROUP CODE :	101	501	006	008	108	208	218	308	318	060	062	262	362	064	161	261	361	561	103	203	063	065	110	111
LH : (mm)	18	18,5	18,5	18,5	18,5	18,5	18,5	18,5	18,5	18,5	18,5	18,5	18,5	30 40 50 60	18,5	18,5	18,5	18,5	18,5	18,5	20	18,5	18,5	18,5

- H:** Kilitleme mesafesi
Grip
- LH:** Kovan yüksekliği
Height of housing
- CL:** Dil uzunluğu
Cam length
- CH:** Dil yüksekliği
Cam height

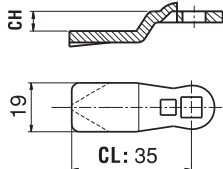


- Dil
Cam
1**
- MALZEME :** Çelik
YÜZEY : Çinko kaplama
KALINLIK : 4 mm
MATERIAL : Steel
FINISH : Zinc plated
THICKNESS : 4 mm



Stok kodu Stock code	CC	CH	CL	LH : 18	LH : 18,5	LH : 20	LH : 30	LH : 40	LH : 50	LH : 60
				H	H	H	H	H	H	H
30403033	30	0	45	18	18,5	20	30	40	50	60
30403063	31	3	45	21	21,5	23	33	43	53	63
30403149	33	4	45	22	22,5	24	34	44	54	64
30403160	34	6	45	24	24,5	26	36	46	56	66
30403161	36	8	45	26	26,5	28	38	48	58	68
30403162	47	10	45	28	28,5	30	40	50	60	70
30403045	44	12	45	30	30,5	32	42	52	62	72
30403163	48	14	45	32	32,5	34	44	54	64	74
30403151	49	16	45	34	34,5	36	46	56	66	76
30403165	55	18	45	36	36,5	38	48	58	68	78
30403166	56	20	45	38	38,5	40	50	60	70	80
30403167	57	22	45	40	40,5	42	52	62	72	82
30403168	58	24	45	42	42,5	44	54	64	74	84
30403169	37	-2	45	16	16,5	18	28	38	48	58
30403170	38	-4	45	14	14,5	16	26	36	46	56
30403171	39	-6	45	12	12,5	14	24	34	44	54
30403172	59	-8	45	10	10,5	12	22	32	42	52
30403173	60	-10	45	8	8,5	10	20	30	40	50
30403174	61	-12	45	6	6,5	8	18	28	38	48
30403175	62	-14	45	4	4,5	6	16	26	36	46

- Dil
Cam
2**
- MALZEME :** Çelik
YÜZEY : Çinko kaplama
KALINLIK : 4 mm
MATERIAL : Steel
FINISH : Zinc plated
THICKNESS : 4 mm

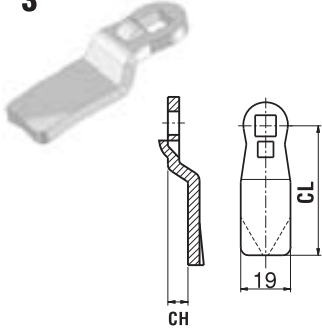


Stok kodu Stock code	CC	CH	CL	LH : 18	LH : 18,5	LH : 20	LH : 30	LH : 40	LH : 50	LH : 60
				H	H	H	H	H	H	H
30403187	11	-2	35	16	16,5	18	28	38	48	58
30403185	12	0	35	18	18,5	20	30	40	50	60
30403186	13	2	35	20	22,5	22	32	42	52	62
30403188	14	4	35	22	22,5	24	34	44	54	64
30403470	15	6	35	24	24,5	26	36	46	56	66
30403471	16	7	35	25	25,5	27	37	47	57	67
30403189	23	10	35	28	28,5	30	40	50	60	70
30403046	52	26	35	44	44,5	46	56	66	76	86

Tırnaklı diller / Cams with stopper

Dil
Cam
3

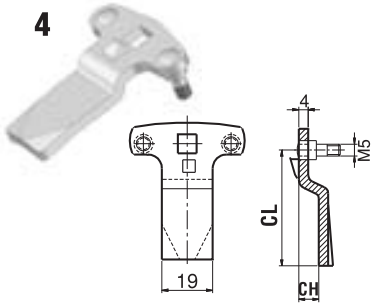
MALZEME : Çelik
MATERIAL : Steel



Stok kodu Stock code	CC	CH	CL	LH : 18	LH : 18,5	LH : 20	LH : 30	LH : 40	LH : 50	LH : 60
				H	H	H	H	H	H	H
30403031	10	0	29	18	18.5	20	30	40	50	60
30403032	20	0	38	18	18.5	20	30	40	50	60
30403036	70	0	66	18	18.5	20	30	40	50	60
30403034	40	0	51	18	18.5	20	30	40	50	60
30403037	21	3	38	21	21.5	23	33	43	53	63
30403038	41	3	51	21	21.5	23	33	43	53	63
30403129	22	6	37	24	24.5	26	36	46	56	66
30403039	32	7	44	25	25.5	27	37	47	57	67
30403040	42	7	49	25	25.5	27	37	47	57	67
30403043	43	10	48	28	28.5	30	40	50	60	70

Dil
Cam
4

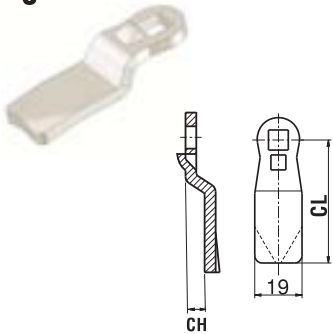
MALZEME : Çelik
MATERIAL : Steel



Stok kodu Stock code	CC	CH	CL	LH : 18	LH : 18,5	LH : 20	LH : 30	LH : 40	LH : 50	LH : 60
				H	H	H	H	H	H	H
30403140	03	0	51	18	18.5	20	30	40	50	60
30403047	01	7	49	25	25.5	27	37	47	57	67
30403147	02	12	46	30	30.5	32	42	52	62	72

Dil
Cam
5

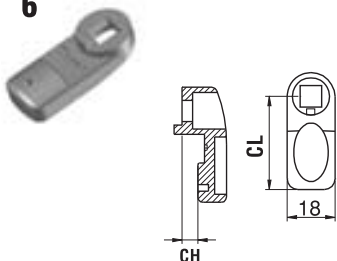
MALZEME : Paslanmaz Ç.
MATERIAL : Stainless Steel



Stok kodu Stock code	CC	CH	CL	LH : 18	LH : 18,5	LH : 20	LH : 30	LH : 40	LH : 50	LH : 60
				H	H	H	H	H	H	H
30405004	30	0	45	18	18.5	20	30	40	50	60
30405003	40	0	51	18	18.5	20	30	40	50	60
30405169	35	2	45	20	20.5	22	32	42	52	62
30405063	31	3	45	21	21.5	23	33	43	53	63
30405149	33	4	45	22	22.5	24	34	44	54	63
30405160	34	6	45	24	24.5	26	36	46	56	66
30405040	42	7	49	25	25.5	27	37	47	57	67
30405006	36	8	45	26	26.5	28	38	48	58	68
30405162	47	10	45	28	28.5	30	40	50	60	70
30405045	44	12	45	30	30.5	32	42	52	62	72

Dil
Cam
6

MALZEME : Plastik
MATERIAL : Plastic



Stok kodu Stock code	CC	CH	CL	LH : 18	LH : 18,5	LH : 20	LH : 30	LH : 40	LH : 50	LH : 60
				H	H	H	H	H	H	H
30402004	90	0	35	18	18.5	20	30	40	50	60
30402011	93	0	25	18	18.5	20	30	40	50	60
30402005	91	6	35	24	24.5	26	36	46	56	66
30402008	92	4	45	22	22.5	24	34	44	54	64
30402013	94	-4	45	14	14.5	16	26	36	46	56

Tırnaksız diller / Cams without stopper

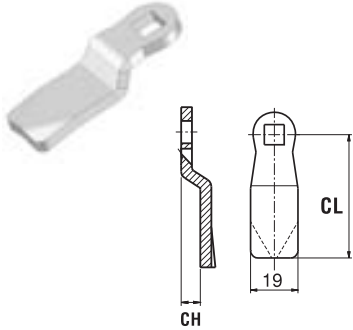
KİLİTLER / LOCKS

GRUP KODU GROUP CODE :	001	002	102	402	502	003	103	203	007	109	209	219	309	319
LH :	18.5	25	25	25	25	25	25	25	25	25	20	20	20	20

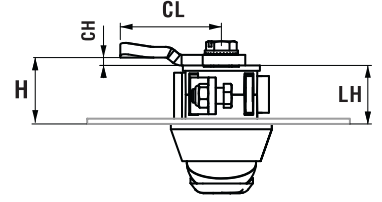
Dil
Cam
1

MALZEME : Çelik
YÜZEY : Çinko kaplama
KALINLIK : 4 mm

MATERIAL : Steel
FINISH : Zinc plated
THICKNESS : 4 mm



Stok kodu Stock code	CC	CH	CL	LH : 18.5 H	LH : 20 H	LH : 25 H
30403006	10	0	29	18.5	20	25
30403130	20	0	38	18.5	20	25
30403117	30	0	45	18.5	20	25
30403003	40	0	51	18.5	20	25
30403005	70	0	66	18.5	20	25
30403064	21	3	38	21.5	23	28
30403054	31	3	45	21.5	23	28
30403141	41	3	51	21.5	23	28
30403138	22	6	37	24.5	26	31
30403128	34	6	45	24.5	26	31
30403073	32	7	44	25.5	27	32
30403002	42	7	49	25.5	27	32
30403004	43	10	48	28.5	30	35
30403123	44	12	45	30.5	32	37



H: Kilitleme mesafesi
Grip

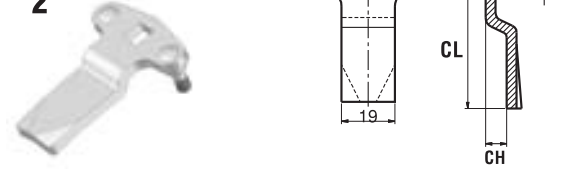
LH: Kovan yüksekliği
Height of housing

CL: Dil uzunluğu
Cam length

CH: Dil yüksekliği
Cam height

Dil
Cam
2

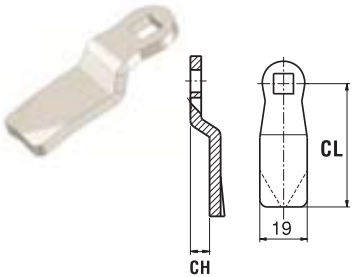
MALZEME : Çelik
MATERIAL : Steel



Stok kodu Part number	CC	CH	CL	LH : 18.5 H
30403135	03	0	51	18.5
30403001	01	7	49	25.5
30403068	02	12	46	30.5

Dil
Cam
3

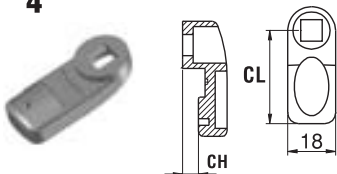
MALZEME : Paslanmaz Ç.
MATERIAL : Stainless Steel



Stok kodu Stock code	CC	CH	CL	LH : 18.5 H	LH : 20 H	LH : 25 H
30405017	30	0	45	18.5	20	25
30405010	40	0	51	18.5	20	25
30405012	35	2	45	20.5	22	27
30405013	31	3	45	21.5	23	28
30405015	34	6	45	24.5	26	31
30405001	42	7	49	25.5	27	32
30405016	36	8	45	26.5	28	33
30405017	47	10	45	28.5	30	35
30405018	44	12	45	30.5	32	37

Dil
Cam
4

MALZEME : Plastik
MATERIAL : Plastic



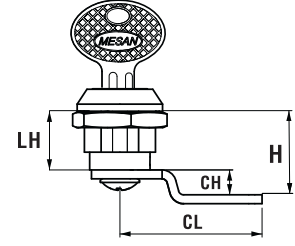
Stok kodu Stock code	CC	CH	CL	LH : 18.5 H	LH : 20 H	LH : 25 H
30402002	90	0	35	18.5	20	25
30402010	93	0	25	18.5	20	25
30402007	92	4	45	22.5	24	29
30402003	91	6	35	24.5	26	31
30402014	94	-4	45	14.5	16	21

Diğer diller / Other cams

KİLİTLER / LOCKS

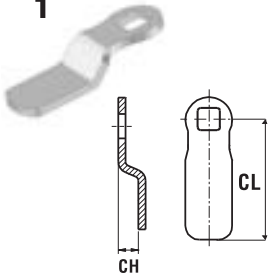
- H:** Kilitleme mesafesi
Grip
- LH:** Kovan yüksekliği
Height of housing
- CL:** Dil uzunluğu
Cam length
- CH:** Dil yüksekliği
Cam height

GRUP KODU GROUP CODE :	050	150	250	072	066	166	057	055
LH :	16,5 20 25 30	20	20	29	13.5	13.5	13.5	20 32
Dil / Cam	1-2	1	1	1	3	3	4	1



Dil Cam
1

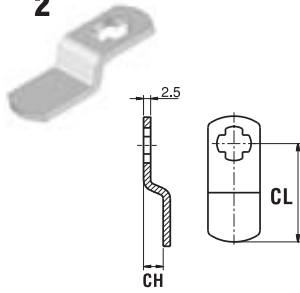
MALZEME : Çelik
MATERIAL : Steel



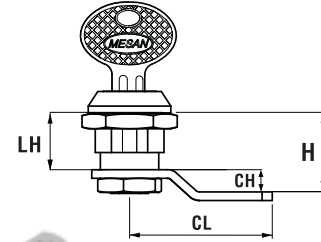
Stok kodu Stock code	CC	CH	CL	LH : 16,5 H	LH : 20 H	LH : 25 H	LH : 29 H	LH : 30 H	LH : 32 H
30403124	50	0	43	16.5	20	25	29	30	32
31403010	56	0	23	16.5	20	25	29	30	32
31403011	30	0	33	16.5	20	25	29	30	32
30403157	57	3	48	19.5	23	28	32	33	35
30403125	51	7	40	23.5	27	32	36	37	39
30403110	52	10	37	26.5	30	35	39	40	42
30403111	53	14	33	30.5	34	39	43	44	46

Dil Cam
2

MALZEME : Çelik
MATERIAL : Steel



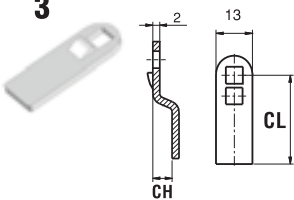
Stok kodu Stock code	CC	CH	CL	LH : 16.5 H
30403014	10	0	38	16.5
30403100	30	0	33	16.5
30403019	20	0	49	16.5
30403082	11	3	38	19.5
30403015	12	7	36	23.5
30403016	21	7	47	23.5
30403017	22	10	44	26.5
30403022	13	0	39	16.5



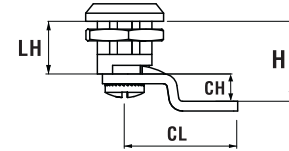
Kancalı dil / Hook cam

Dil Cam
3

MALZEME : Çelik
MATERIAL : Steel

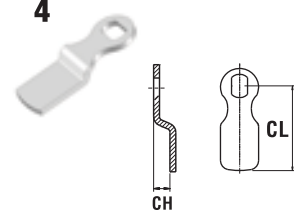


Stok kodu Stock code	CC	CH	CL	LH : 13.5 H
30403084	10	0	33	13.5
30403184	20	0	25	13.5
30403183	21	6	25	19.5
30403085	11	7	30	20.5
30403196	22	-6	25	7.5

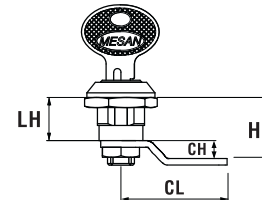


Dil Cam
4

MALZEME : Çelik
MATERIAL : Steel



Stok kodu Stock code	CC	CH	CL	LH : 13 H
30403158	10	0	24	13
30403028	50	0	21	13
30403029	20	0	31	13
30403028	30	0	36	13
30403089	21	3	30	16
30403030	22	7	26	20
30403182	11	-3	28	10
30403058	40	0	31	13



Kancalı dil / Hook cam