

COMPRESSION LOCK

With standart cut out

040

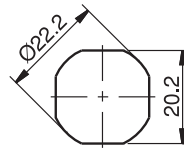
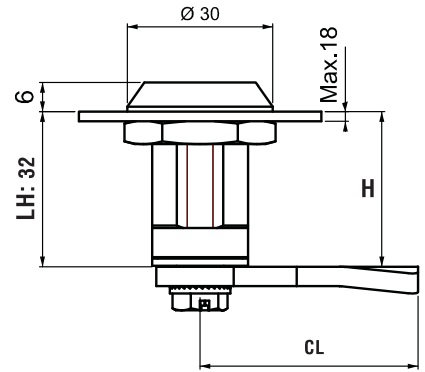
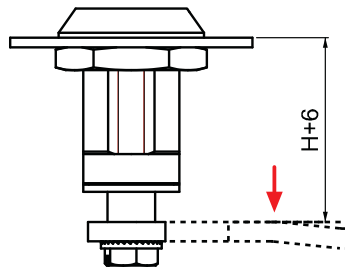


IP 65



LH/RH

RoHS



Standart cut out

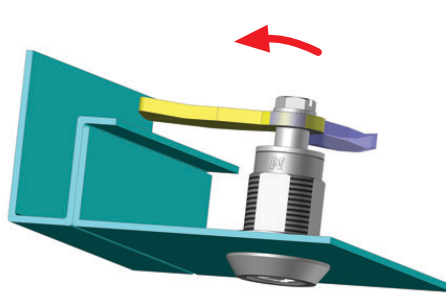
- Used for the cabinets that require better sealing under vibration conditions.
- Lock has 6 mm compression ratio.
- Lock also provides noise isolation.
- Different driver alternatives are available.
- Standard cams without stopper are applied to these locks

APPLICATIONS

Electric panels, machinery covers, railway applications, construction equipment

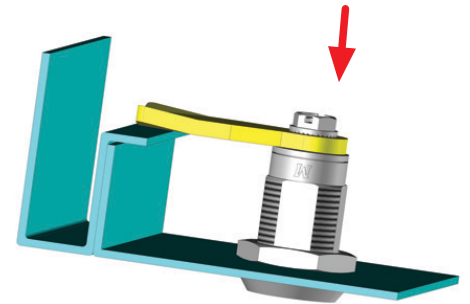
MATERIAL

- HOUSING : Stainless Steel
- DRIVER : Stainless Steel
- CAM : Stainless Steel
- GASKET : Rubber



Unlock position

When key is tamed to 90° cam turns to locking position



Lock position

When key is tamed to 180° cam moves to fixing position

DRIVERS

3 mm Double bit	5 mm Double bit	Railway	8 mm Square	2X4 mm Slot
DD 13	DD 15	DD 88	DD 28	DD 42
		7 mm Triangular	8 mm Triangular	
		DD 37	DD 38	

PRODUCT CODE

