

SWING HANDLE

006



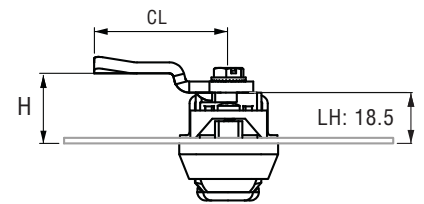
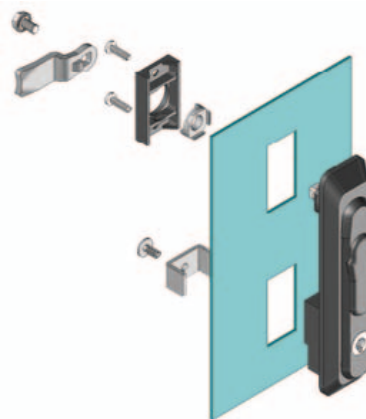
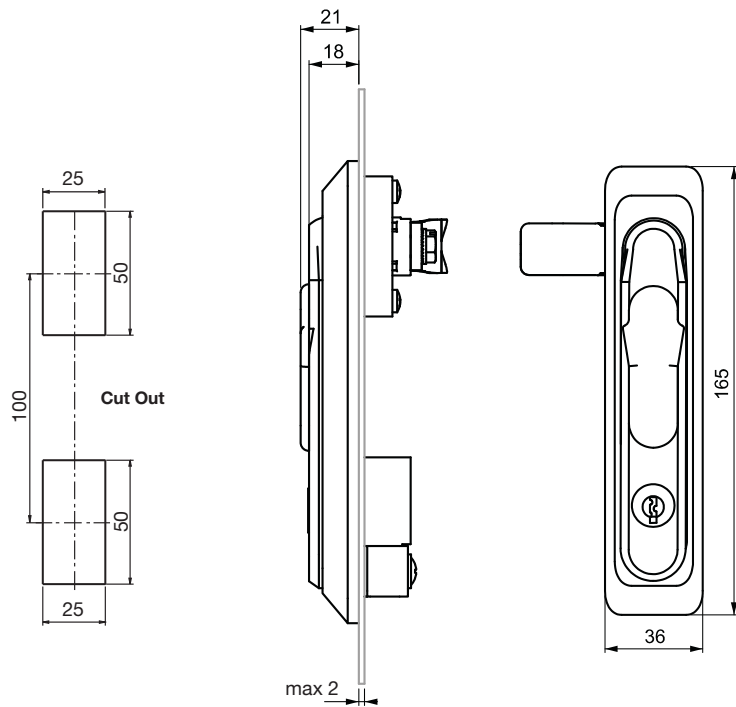
IP 65



LH/RH



RoHS



- Lower strength swing handle that accepts cylindrical drivers only.
- Spring loaded handle , slam action .
- Can be used indoor and outdoor

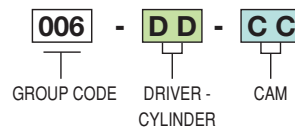
APPLICATIONS

Electric panels, machinery covers

MATERIAL

- BODY : Polyamide DIN-EN ISO 1043-1 PA6 GFR 30
- HANDLE : Polyamide DIN-EN ISO 1043-1 PA6 GFR 30
- CAM : Steel or PA6 GFR 30
- SEAL : Polyurethane

PRODUCT CODE



DRIVERS

5 mm Double bit	8 mm Square	9 mm Triangular
15	28	39

- For cams please check page: 86 - 87
- For rods please check page: 90 - 96
- For keys please check page: 98 - 99

Cylinder	SPECIFICATIONS	DD
	Keyed alike	01
	Keyed differ	02
	Stainless steel dust cap (Keyed alike)	03
	Stainless steel dust cap (Keyed differ)	32
	Master System	04
	Euro key (5333)	05