

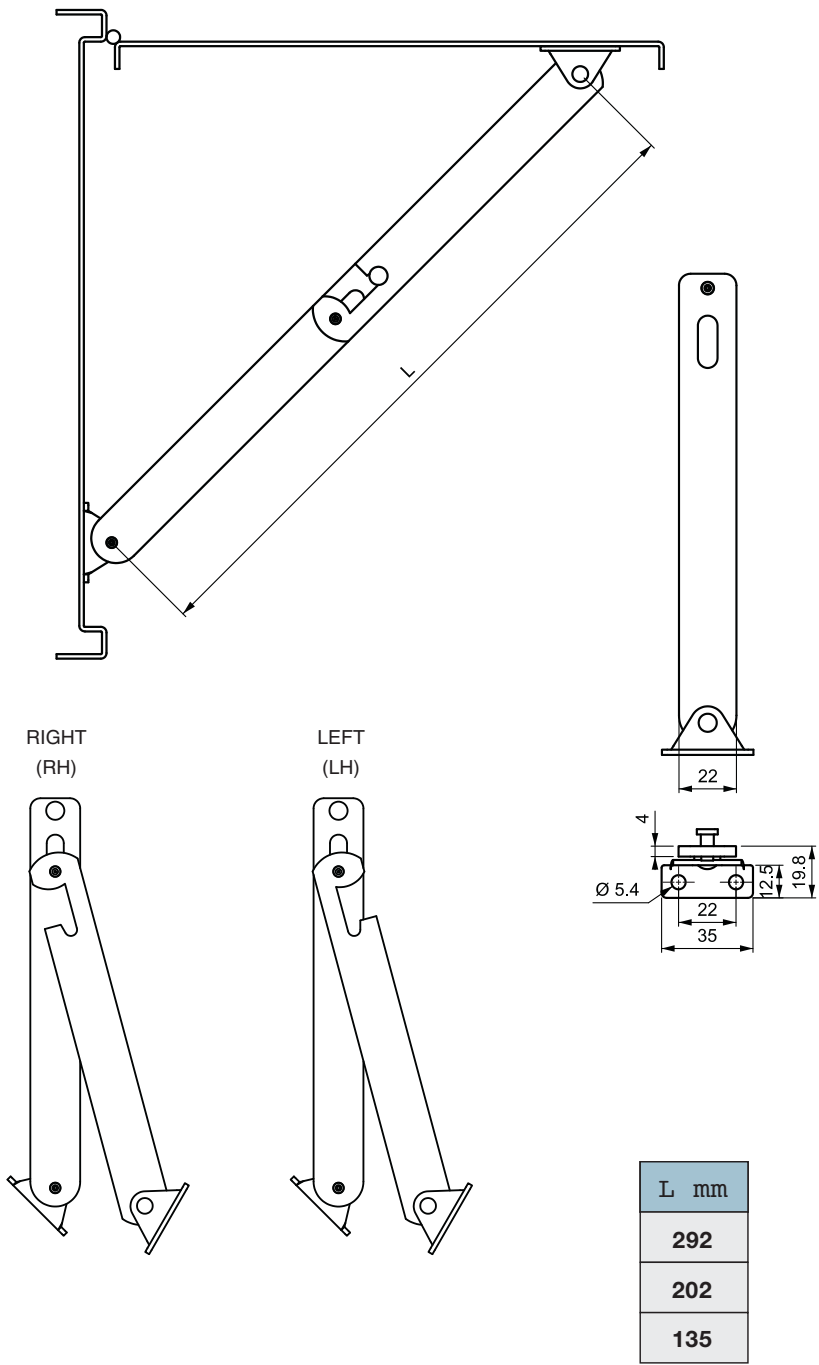
279

COVER STAY

New



- Suitable for heavy duty applications.
- 4 mm material was produced



**PRODUCT CODE**

