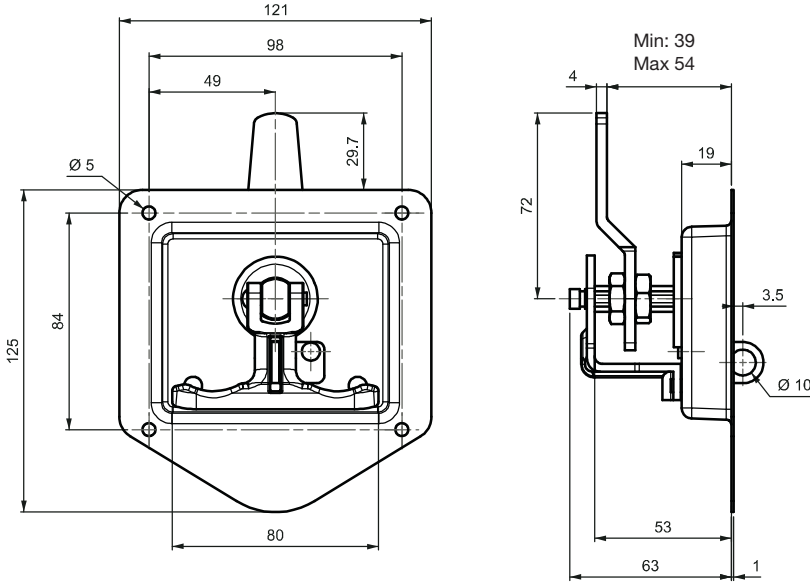


115

'T' HANDLE HEAVY DUTY LOCK



IP 54



LH/RH



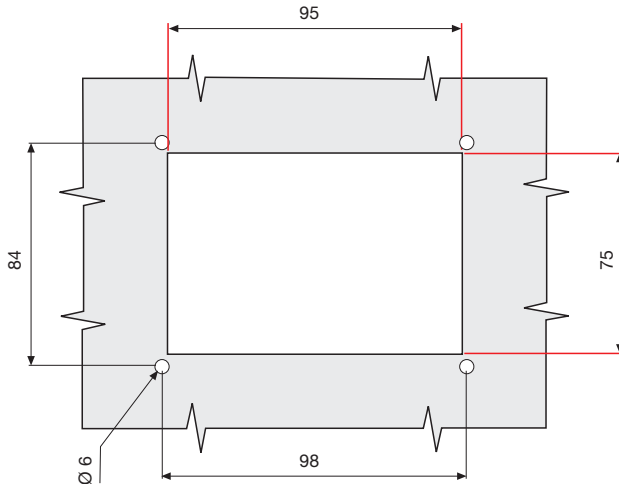
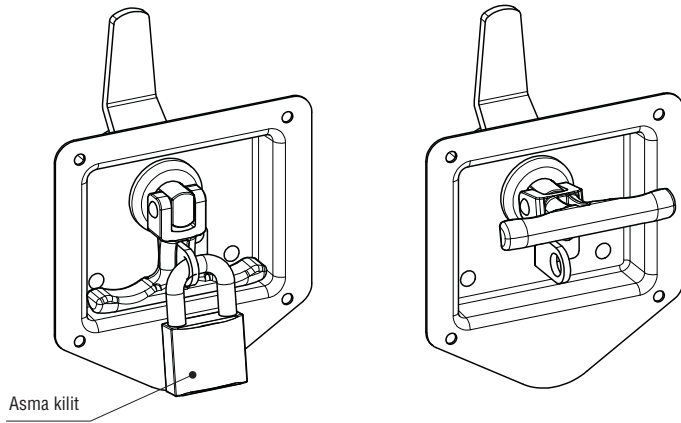
- Suitable for special equipment cases .
- Adjustable cam provided different grip range.
- Maximum padlock shackle diameter 9 mm.

**APPLICATIONS**

Electricity stations, truck meal cabinet

**MATERIAL**

BODY : Stainless Steel  
 KOL : Zamak DIN-EN 1774-ZnAl4Cu1  
 PAD LOCK HASP : Stainless Steel  
 CAM : Steel



Geçiş Ölçüsü